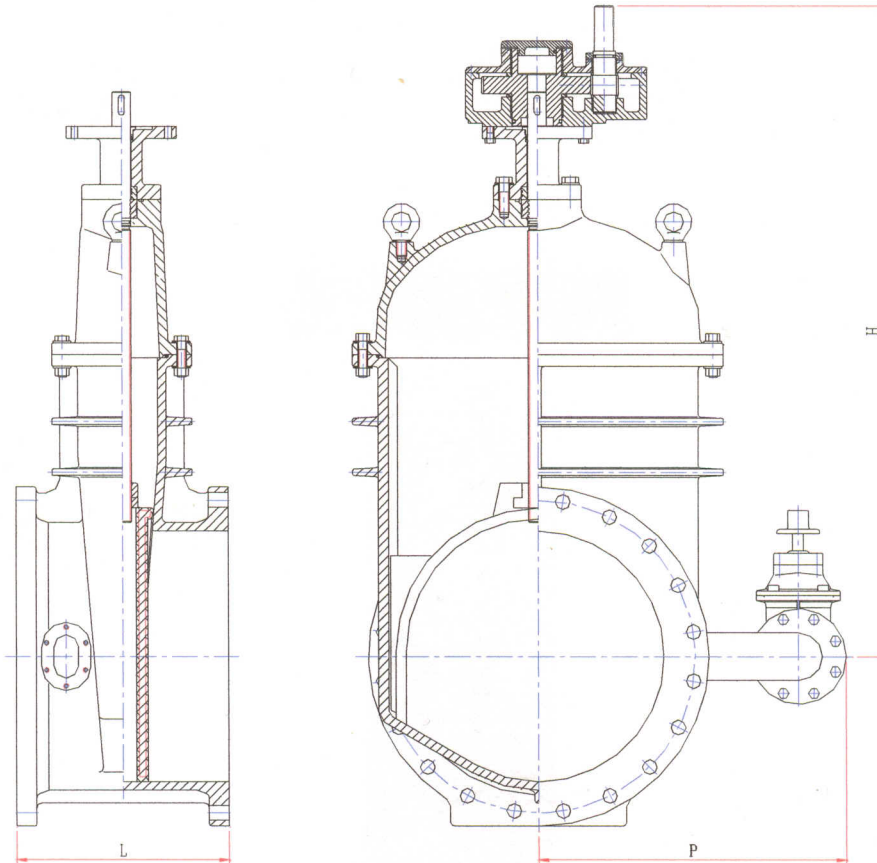


# C515 Res NRS Gate Valve 14" to 24" with Spur Gear Operator



## Materials:

Component	Material & ASTM Spec.
Body	Ductile Iron, ASTM A536 65-45-12
Rubber Wedge	Ductile Iron with EPDM encapsulated
Stem Nut	Brass, ASTM B16
Stem	Stainless Steel, AISI 420
Gasket	EPDM
Bolts	Carbon Steel, ASTM B307
Bonnet	Ductile Iron, ASTM A536 65-45-12
O-Ring	EPDM
Thrust Collar	Brass, ASTM B16
Gland Bush	Brass, ASTM B16
Yoke	Ductile Iron, ASTM A536 65-45-12
Spur Gear	
Elbow	Ductile Iron, ASTM A536 65-45-12
By-pass Valve	

## Dimensions

Size	L	H	P
14"	15	52	20
16"	16	58	21
18"	17	64	23
20"	18	69	25
24"	20	75	37