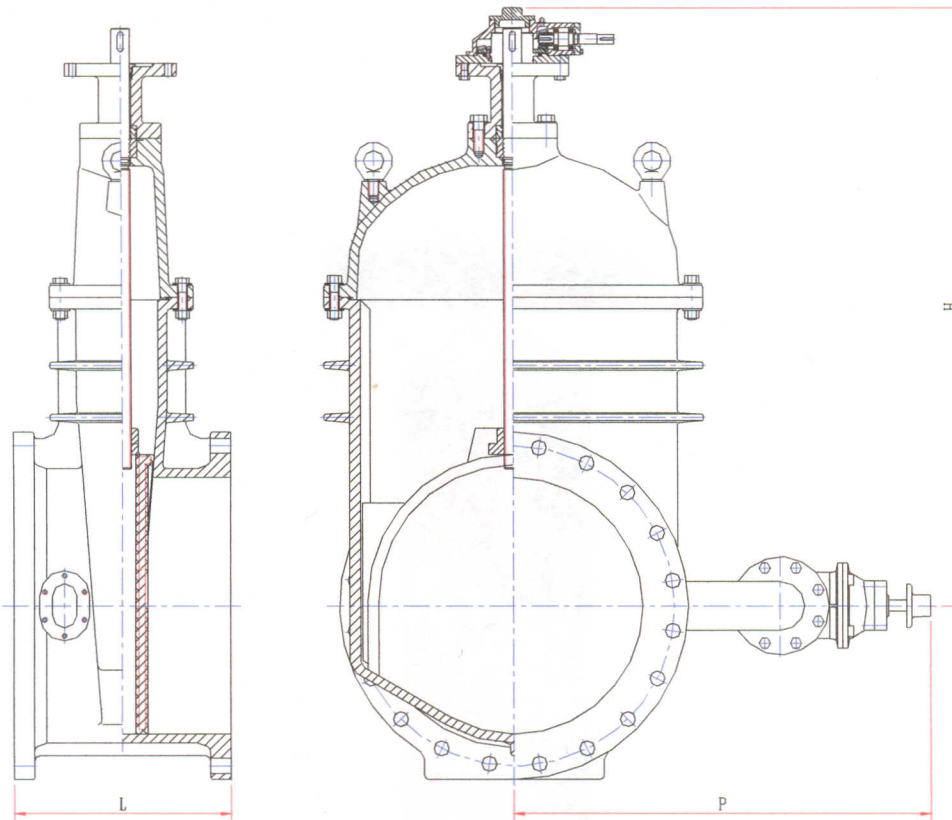


C515 Res NRS Gate Valve 14" to 24" with Bevel Gear Operator



Materials:

| Component | Material & ASTM Spec. |
|---------------|-------------------------------------|
| Body | Ductile Iron, ASTM A536 65-45-12 |
| Rubber Wedge | Ductile Iron with EPDM encapsulated |
| Stem Nut | Brass, ASTM B16 |
| Stem | Stainless Steel, AISI 420 |
| Gasket | EPDM |
| Bolts | Carbon Steel, ASTM B307 |
| Bonnet | Ductile Iron, ASTM A536 65-45-12 |
| O-Ring | EPDM |
| Thrust Collar | Brass, ASTM B16 |
| Gland Bush | Brass, ASTM B16 |
| Yoke | Ductile Iron, ASTM A536 65-45-12 |
| Bevel Gear | |
| Elbow | Ductile Iron, ASTM A536 65-45-12 |
| By-pass Valve | |

Dimensions

| Size | L | H | P |
|------|----|----|----|
| 14" | 15 | 52 | 27 |
| 16" | 16 | 58 | 28 |
| 18" | 17 | 64 | 30 |
| 20" | 18 | 69 | 32 |
| 24" | 20 | 75 | 34 |

Note: The bevel gear has rotated 90 degrees for shown clear