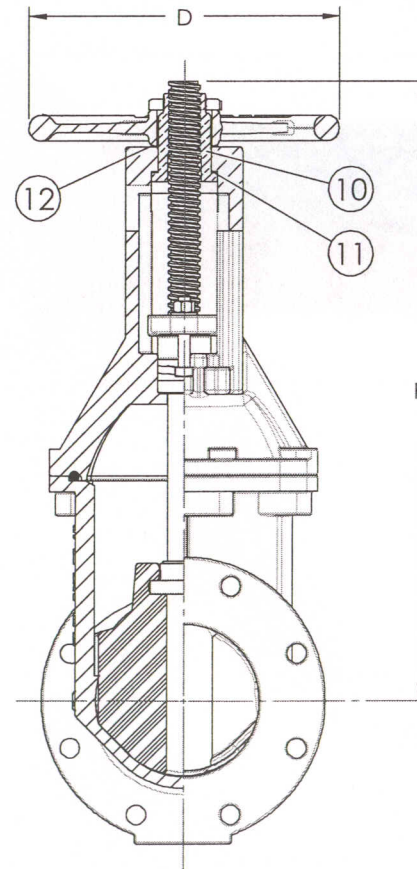
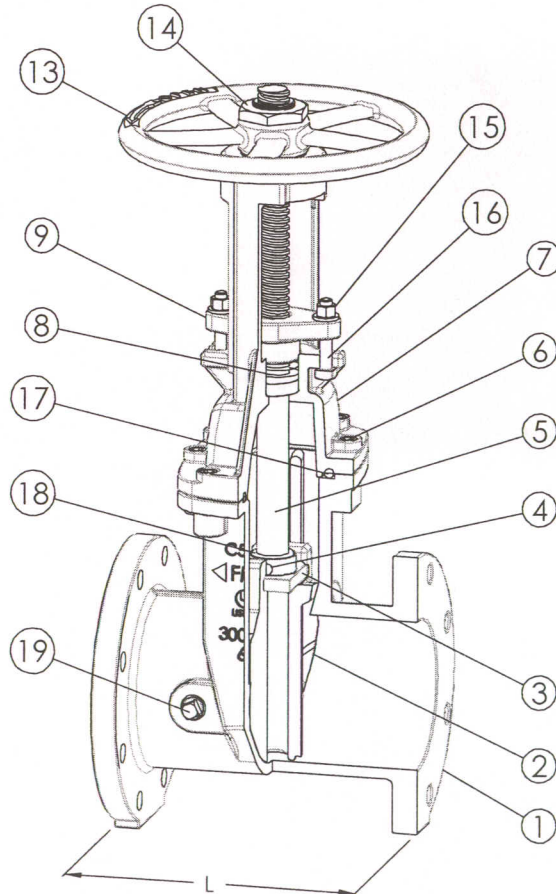


Nom	Flanged			Grooved		
	D	H (Open)	L	D	H (Open)	L
2 1/2"	7.50"	16.38"	7.50"	7.13"	16.38"	7.50"
3"	10.00"	18.13"	8.00"	10.00"	18.88"	8.00"
4"	10.00"	21.63"	9.00"	10.00"	21.63"	9.00"
5"	12.00"	25.38"	10.00"	12.00"	25.38"	10.00"
6"	12.00"	29.13"	10.50"	12.00"	29.13"	10.50"
8"	14.00"	36.63"	11.50"	14.00"	36.63"	11.50"
10"	17.50"	44.50"	13.00"	17.50"	44.50"	13.00"
12"	17.50"	52.00"	14.00"	17.50"	52.00"	14.00"



Certified to NSF/ANSI 61

Item No.	Description	Material
1	Body	ASTM A536 65-45-12
2	Wedge	EPDM Coated DI
3	Wedge Nut	AISI 420
4	Pin	AISI 304
5	Stem	AISI 420
6	Bonnet Bolts	ASTM A307B
7	Bonnet	ASTM A536 65-45-12
8	Packing	Graphite
9	Gland	ASTM A536 65-45-12
10	Yoke Nut	ASTM B62 C83600
11	Washer	ASTM B16 36000
12	Washer	ASTM B16 36000
13	Handwheel	ASTM A536 65-45-12
14	Handwheel Nut	ASTM A536 65-45-12
15	Gland Nut	AISI 316
16	Gland Bolt	AISI 316
17	Gasket	EPDM
18	O-ring	EPDM
19	Plug	ASTM B16 36000



Notes:

- 1) Resilient Seat Gate Valves shall comply with AWWA C515-09 Standard.
- 2) Body, bonnet, and wedge of the gate valve shall be of high strength ductile-iron, ASTM A536, Grade 65-45-12.
- 3) Fusion Bond Epoxy Coated Interior and Exterior, AWWA C550. Epoxy Powder Certified to NSF-61.
- 4) Valves shall be equipped with handwheels indicating the direction of opening.
- 5) Packing is constructed of high quality graphite.
- 6) EPDM O-ring Seals shall be located between Bonnet and Body.
- 7) Operating Stem shall be AISI 431 Stainless Steel.
- 8) Wedge Nut shall be AISI 304 Stainless Steel.
- 9) Flanged Ends in accordance with ANSI B16.1, 125 lb. pattern (AWWA C110 Standard).
- 10) Underwriters Laboratories Rated Working Pressure: 2 1/2"-12": 300 psi.

	NAME	DATE
DRAWN	RCM	8/23/12



United Water Products
2113 West 30th Street
Jacksonville, FL 32209
Tel: 877-766-4459
Fax: 877-766-4458
www.unitedwaterproducts.com

TITLE: UNITED Model 2030
Outside Screw & Yoke (OS&Y)
Resilient Seated Gate Valve (2 1/2"-12")

PROPRIETARY AND CONFIDENTIAL
THE INFORMATION CONTAINED IN THIS
DRAWING IS THE SOLE PROPERTY
OF UNITED WATER PRODUCTS.
ANY REPRODUCTION IN PART OR
AS A WHOLE WITHOUT THE WRITTEN
PERMISSION OF LINX LTD. IS PROHIBITED.

DWG. NO.
5000000165

REV
A

SCALE: NONE - UNLESS NOTED SHEET 1 OF 1