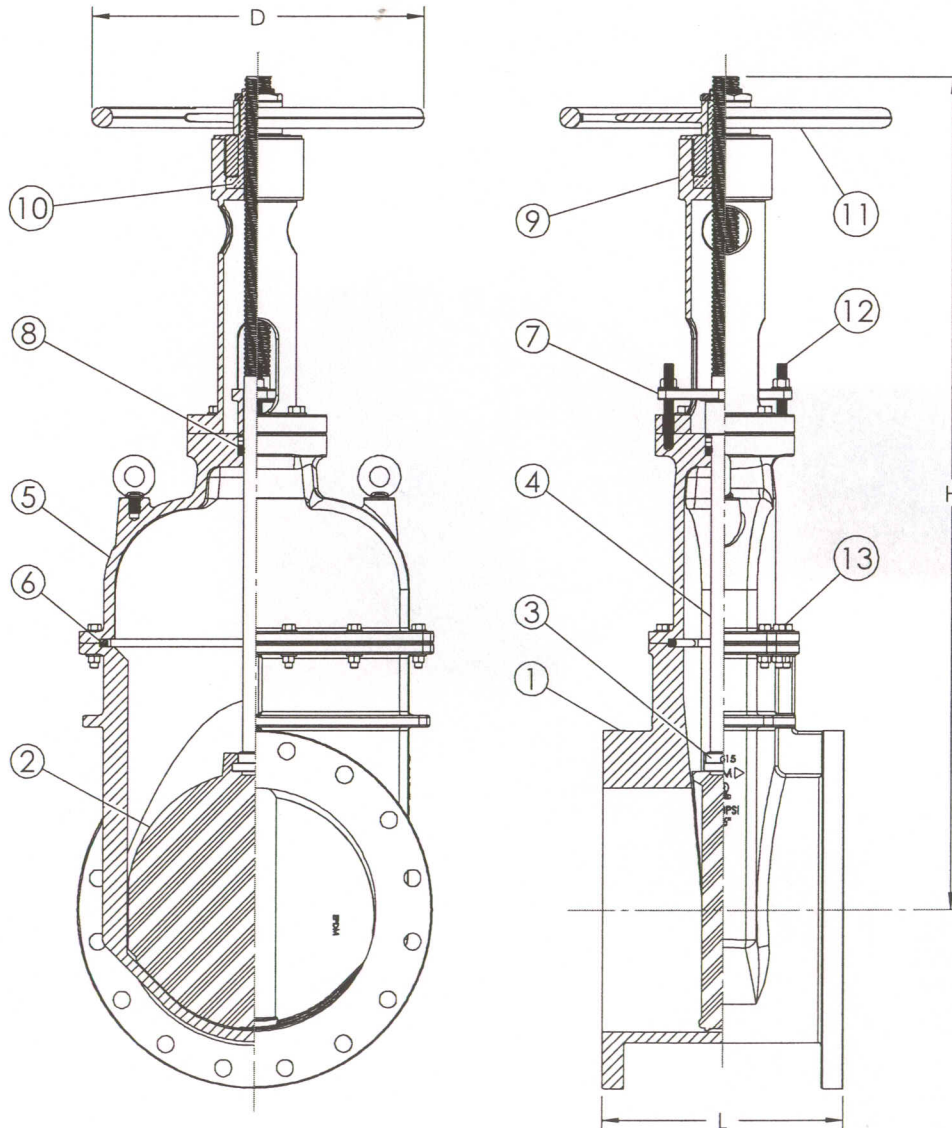
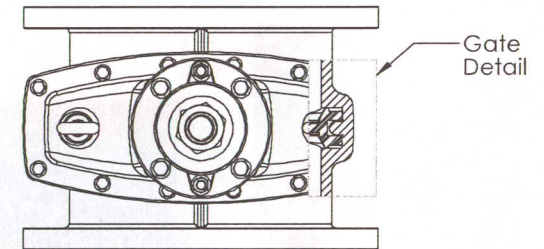


| Nom | D | H | | L |
|-----|-------|--------|---------|-----|
| | | Closed | Open | |
| 14" | 17.5" | 48.19" | 61.97" | 15" |
| 16" | 21" | 54.57" | 70.31" | 16" |
| 18" | 24" | 61.81" | 79.53" | 17" |
| 20" | 24" | 69.92" | 89.61" | 18" |
| 24" | 30" | 78.84" | 102.36" | 20" |



| Item No. | Description | Material/Specification |
|----------|--------------|---------------------------------|
| 1 | Body | Ductile Iron ASTM A536 65-45-12 |
| 2 | Wedge | Ductile Iron (EPDM Coated) |
| 3 | Wedge Nut | Stn. Stl. AISI 304 |
| 4 | Stem | Stn. Stl. AISI 431 |
| 5 | Bonnet | Ductile Iron ASTM A536 65-45-12 |
| 6 | Gasket | EPDM |
| 7 | Gland | Ductile Iron ASTM A536 65-45-12 |
| 8 | Packing | Graphite |
| 9 | Yoke | Ductile Iron ASTM A536 65-45-12 |
| 10 | Yoke Nut | Bronze ASTM B62 C83600 |
| 11 | Handwheel | Ductile Iron ASTM A536 65-45-12 |
| 12 | Gland Bolts | Stn. Stl. AISI 316 |
| 13 | Bonnet Bolts | Carbon Steel ASTM A307 B |
| - | NPT Plug | Brass ASTM B16 C36000 |



Notes:

- 1) Resilient Seat Gate Valves shall comply with AWWA C515-09 Standard.
- 2) Body, bonnet, and wedge of the gate valve shall be of high strength ductile-iron, ASTM A536, Grade 65-45-12.
- 3) Fusion Bond Epoxy Coated Interior and Exterior, AWWA C550. Epoxy Powder Certified to NSF-61.
- 4) Valves shall be equipped with handwheels indicating the direction of opening.
- 5) Packing is constructed of high quality graphite.
- 6) EPDM O-ring Seals shall be located between Bonnet and Body.
- 7) Operating Stem shall be AISI 431 Stainless Steel.
- 8) Wedge Nut shall be AISI 304 Stainless Steel.
- 9) Flanged Ends in accordance with ANSI B16.1, 125 lb. pattern (AWWA C110 Standard).
- 10) Underwriters Laboratories Rated Working Pressure: 14"-18": 250 psi; 20"-24": 200 psi.

| | | | |
|---|------------|--------------|---|
| NAME | DATE | | United Water Products 2113 West 30th Street Jacksonville, FL 32209 Tel: 877-766-4459 Fax: 877-766-4458 www.unitedwaterproducts.com |
| DRAWN | RCM 8/3/12 | | |
| TITLE: UNITED Model 2030 Outside Screw & Yoke (OS&Y) Resilient Seated Gate Valve (14"-24") | | DWG. NO. | REV |
| PROPRIETARY AND CONFIDENTIAL THE INFORMATION CONTAINED IN THIS DRAWING IS THE SOLE PROPERTY OF UNITED WATER PRODUCTS. ANY REPRODUCTION IN PART OR AS A WHOLE WITHOUT THE WRITTEN PERMISSION OF LINX LTD. IS PROHIBITED. | | 5000000160 | A |
| SCALE: NONE - UNLESS NOTED | | SHEET 1 OF 1 | |