

REVISIONS

REV.	DESCRIPTION	DATE	By
A	Initial Issue	6/23/2014	RCM
B	Update material list.	01/09/15	SG

2"-12" Sizes



APPROVED



Certified to NSF/ANSI 61

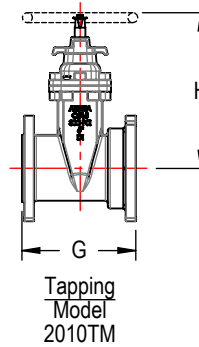
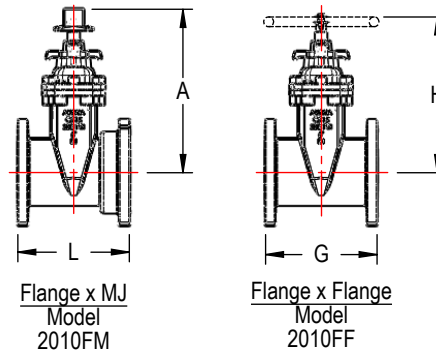


LISTED

2 1/2"-24" Sizes

Gate Valve Selection for Submittal							
Size	Qty	Model #	Description	Handwheel	Operating Nut	Open Left	Open Right
___	___	2010MM	Mechanical Joint x Mechanical Joint	___	___	___	___
___	___	2010FM	Flange x Mechanical Joint	___	___	___	___
___	___	2010FF	Flange x Flange	___	___	___	___
___	___	2010TM	Tapping	___	___	___	___

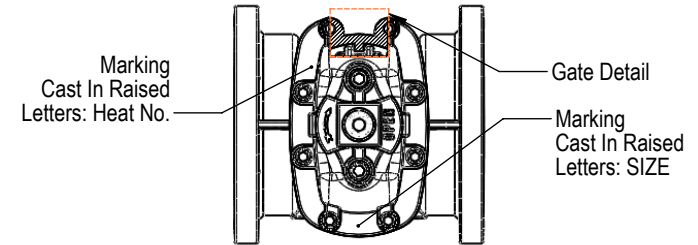
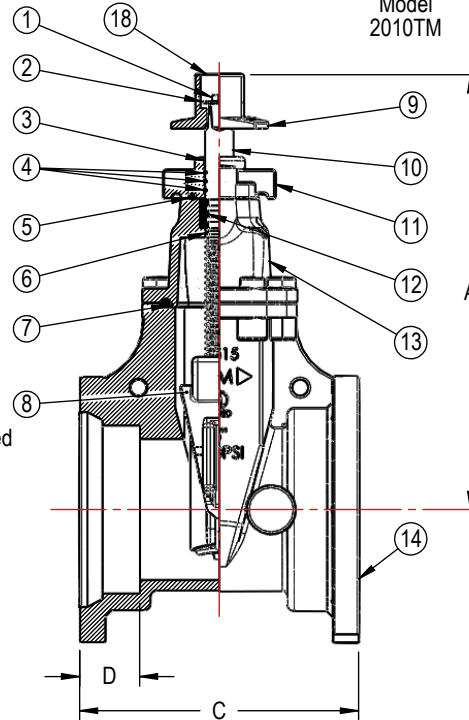
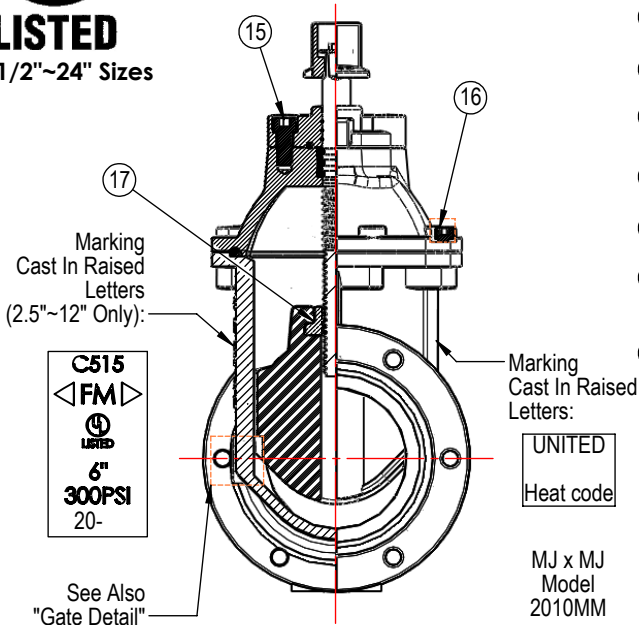
Dimensions For Resilient Wedge Valve									
Nom	A	C	D	G	H	L	Turns to Open	Handwheel Ø	
2"	10.4	9.25	2.5	7	9.5	8.13	6.5	7	
2 1/2"	11	9.25	2.5	7.5	10	8.13	8.5	7	
3"	11.8	9.5	2.5	8	11	8.74	10.5	10	
4"	13.8	10	2.5	9	13	9.5	14	10	
5"	16.2	-	-	10	15.5	-	16	12	
6"	17.9	11.5	2.5	10.5	17.3	11	20	12	
8"	21.5	12.5	2.5	11.5	20.8	12	25.5	14	
10"	25.4	14.75	2.5	13	25	13.88	31.8	16	
12"	28.8	14.88	2.5	14	38.3	14.44	38	16	



Item No.	Description	Qty.	Material/Specification
1	Hex Bolt	1	304 Stn. Stl.
2	Washer	1	304 Stn. Stl.
3	Dirt Seal	1	EPDM
4	O-Ring (Bonnet Cap, Stem)	3	EPDM
5	O-Ring (Bonnet Cap, Bonnet)	1	EPDM
6	O-Ring (Stem)	1	EPDM
7	O-Ring (Bonnet to Body)	1	EPDM
8	Gate	1	EPDM Encapsulated DI
9	Operating Nut	1	Ductile Iron ASTM A536 65-45-12
10	Stem	1	420 Stn. Stl.
11	Bonnet Cap	1	Ductile Iron ASTM A536 65-45-12
12	Split Ring (Stem)	2	Bronze C67400
13	Bonnet	1	Ductile Iron ASTM A536 65-45-12
14	Body	1	Ductile Iron ASTM A536 65-45-12
15	Allen Bolt	-	304 Stn. Stl.
16	Allen Bolt	-	304 Stn. Stl.
17	Gate (Stem) Nut	1	Bronze C67400
18	Debris Cap	1	Plastic

Notes:

- Resilient Seat Gate Valves shall comply with AWWA C515-09 Standard.
- Body, bonnet, and wedge of the gate valve shall be of high strength ductile-iron, ASTM A536, Grade 65-45-12.
- Fusion Bond Epoxy Coated Interior and Exterior, AWWA C550. Epoxy Powder Certified to NSF-61.
- Valves shall be equipped with 2" square operating nut (black)(handwheels optional for flanged valves) indicating the direction of opening. Operating nuts for Open Right valves shall be color coded red.
- Stuffing Box Gland shall have a minimum of three (3) O-rings capable of replacement under pressure while gate is in the full open position.
- Stuffing Box Gland, Bonnet, and Body Fasteners shall be 304 Stainless Steel Blind Tapped with Sockets to eliminate exposed Bolt Threads or Nuts.
- EPDM O-ring Seals shall be located between Stuffing Box Gland, Bonnet, and Body.
- Operating Stem shall have (3) Machined Grooves located just above the Lower Stem O-ring to accept and mate with a 2-piece Bronze Split Ring. The design of the Stem and Split Ring will eliminate any upward or downward operating thrust on any Iron service.
- Wedge Nut shall be Bronze C67400, independent of the Ductile Iron Gate. Ductile Iron Gate shall be fully encapsulated with Rubber EPDM Seat.
- Mechanical Joint Ends shall be in accordance with ANSI A21.11 / AWWA C111 Standard, Flanged Ends in accordance with ANSI B16.1, 125 lb. pattern. (AWWA C110 Standard).
- Valve Operating Pressure Rating: 2"-3"; 4"-12" = 300 psi.



WATER LINE SUPPLY

NAME	DATE	
DRAWN	RCM 6/23/14	
TITLE:		UNITED Model 2010 AWWA C515 Gate Valves (2"-12")
DWG. NO.		5000000227-WLS
REV		B
SCALE: NONE - UNLESS NOTED		SHEET 1 OF 1

PROPRIETARY AND CONFIDENTIAL
THE INFORMATION CONTAINED IN THIS DRAWING IS THE SOLE PROPERTY OF UNITED WATER PRODUCTS. ANY REPRODUCTION IN PART OR AS A WHOLE WITHOUT THE WRITTEN PERMISSION OF LINX LTD. IS PROHIBITED.