

# Swing Check Valve

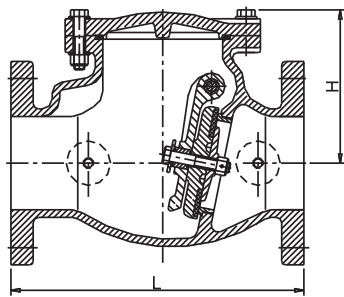
## Series 8700 - AWWA C508 - Clear Waterway

Resilient Seat - 300 psi - Flanged Ends

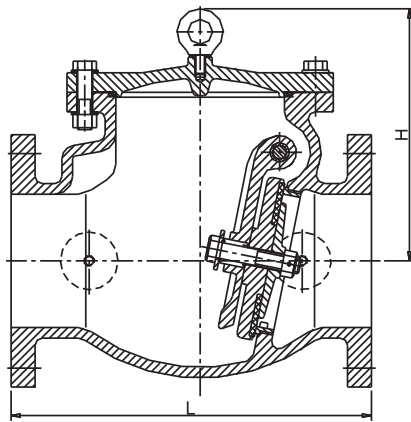


### MATERIAL LIST

DESCRIPTION	MATERIAL	ASTM SPECIFICATION
Body	Ductile Iron	ASTM, A536 65-45-12
Cover	Ductile Iron	ASTM, A536 65-45-12
Gasket	EPDM	Commercial
Clapper Arm	Ductile Iron	ASTM, A536 65-45-12
Disc Ring	EPDM	Commercial
Disc	Ductile Iron	ASTM, A536 65-45-12
Retainer Washer	Bronze	ASTM, B62
Hinge Pin	Stainless Steel	AISI, 304
Plug Washer	PTFE	Commercial
Seat Ring	Bronze	ASTM, B62



**Sizes 2" ~ 4"**



**Sizes 5" ~ 12"**

**NOTES:**

1. Flange shape and drilling to specification ANSI B16.1 (125 lb.)
2. Face to face dimensions conform to AWWA C508, Clear Waterway
3. Maximum Working Pressure: 300 psi
4. Fusion Bonded Epoxy Coated, Interior and Exterior, AWWAC550

### DIMENSIONAL DATA

Nominal Size	Part No.	L	H
2	8700-F-110	8	5-3/16
2-1/2	8700-F-120	10	5-11/16
3	8700-F-130	11	5-7/8
4	8700-F-140	13	6-7/8
5	8700-F-150	14	11-3/4
6	8700-F-160	16	11-13/16
8	8700-F-180	19-1/2	13-7/8
10	8700-F-200	22	15-9/16
12	8700-F-220	26	17-1/2

Dimensions in inches