

# AWWA C515

## Resilient Seat GATE VALVES

# Model 2030

## OS&Y

### MATERIAL LIST



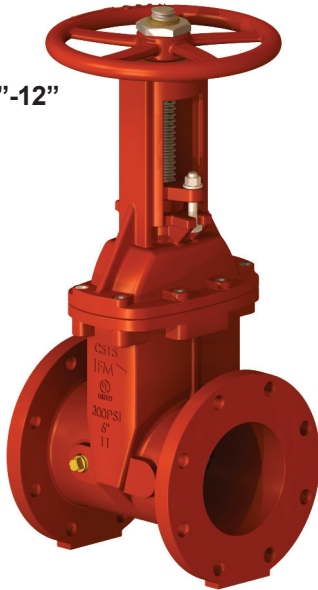
APPROVED



LISTED



Certified to  
NSF/ANSI 61



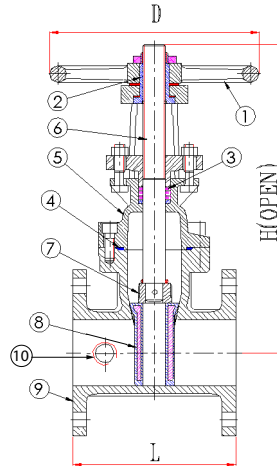
ITEM NO.	DESCRIPTION	MATERIAL
1	Handwheel	Ductile Iron, ASTM A536
2	Stem Nut	B62
3	Packing	Graphite - Non-asbestos
4	Gasket	EPDM
5	Bonnet	Ductile Iron, ASTM A536
6	Stem	420 Stainless Steel
7	Wedge Nut	304 Stainless Steel
8	Wedge	Ductile Iron, ASTM A536 w/EPDM Coating
9	Body	Ductile Iron, ASTM A536
10	Test Plug	Brass, C36000

Design and materials are subject to change without notice.

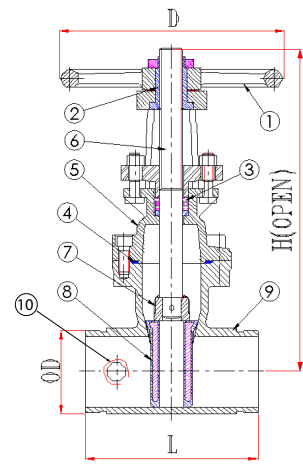
**Available:**  
Flange Ends  
Grooved Ends

#### Description:

1. Conforms to AWWA C515
2. Epoxy coated inside and outside to AWWA C550.
3. Working Pressure: 2-1/2"-12": 300 psi, 16": 250 psi
4. Temperature: -10° to 120°C
5. Flanged Ends conform to ANSI B16.1 standard.
5. Grooved Ends conform to AWWA C606 standard.



Flanged



Grooved

### DIMENSIONAL DATA

Dimensions in inches

Size	Part No. (Flanged)	L	H	D	Part No. (Grooved)	L	H	D	Turns To Open
2-1/2"	2030FF-125	7-1/2	16-3/8	7-1/2	2030GG-125	7-1/2	16-3/8	7-1/8	9
3"	2030FF-130	8	18-1/8	10	2030GG-130	8	18-7/8	10	10
4"	2030FF-140	9	21-5/8	10	2030GG-140	9	21-5/8	10	12.5
5"	2030FF-150	10	25-3/8	12	2030GG-150	10	25-3/8	12	16
6"	2030FF-160	10-1/2	29-1/8	12	2030GG-160	10-1/2	29-1/8	12	19
8"	2030FF-180	11-1/2	36-5/8	14	2030GG-180	10-1/2	36-5/8	14	25
10"	2030FF-200	13	44-1/2	17-1/2	2030GG-200	13	44-1/2	17-1/2	31.5
12"	2030FF-220	14	52	17-1/2	2030GG-220	14	52	17-1/2	37.5
16"	2030FF-260	16	70-1/3	21-1/16	2030GG-260	16	70-1/3	21-1/16	49